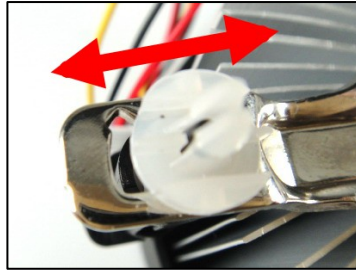
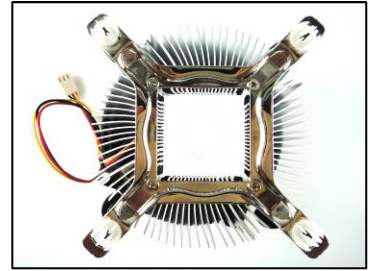




The Aesthetics of heat dispersion



Sliding push pin design



Back view



Side view

**Product Specification**

Application Socket	Intel LGA 775 1155 1156
Heat Sink Dimension	Φ90 mm X 40 mm
Heat Sink Material	Aluminum
Fan Dimension	Φ95 X 25 mm
Bearing Type	Sleeve Bearing Fan Life Expectancy at 25°C 25000HR
Fan Speed (RPM)	2600±10%
Fan Airflow (CFM)	47.74
Static Pressure (inch H2O)	0.24
Fan Noise Level (dBA)	<31
Rated Voltage (V)	12
Weight (g)	360

**CPU Support :**

LGA775

Core2 Duo E4300~E8600

Core2 Quad Q6600~Q9650 Without Q6600 105W Version

Pentium Dual Core up to ~E6500/E6500K

Pentium 4 up to ~651

Celeron up to ~365/E3300

LGA1155

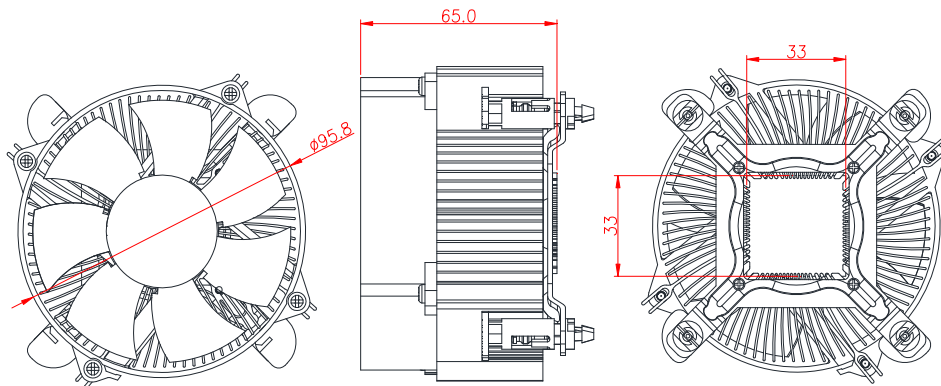
I3-2100~I3-2120, I5-2300~I5-2500T, I7-2600 2600K 2600S

Intel® Pentium® Processor G620 ~G850

LGA 1156

I3-530~I3560, I5-650~I5-760, I7-860~870

Intel® Pentium® Processor G6960



Unit : mm