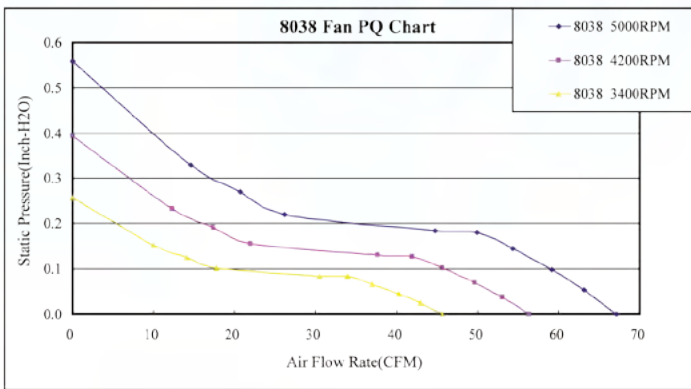


EVERCOOL

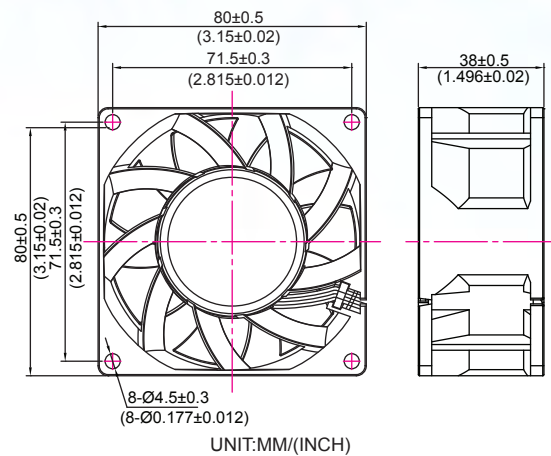
8038 series 80x80x38 mm



P&Q Curve



Dimensions Drawing



Specifications

| Model | Rated Voltage (VDC) | Rated Current (AMP) | Power Consumption (WATTS) | Speed Reference (RPM) | Air Flow (CFM) | Static Pressure (Inch-H ₂ O) | Noise (dBA) |
|------------|---------------------|---------------------|---------------------------|-----------------------|----------------|---|-------------|
| EC8038H12X | 12 | 0.6 | 7.2 | 5000 | 67.1 | 0.56 | <43.8 |
| EC8038M12X | 12 | 0.46 | 5.52 | 4200 | 56.36 | 0.39 | <40 |
| EC8038L12X | 12 | 0.32 | 3.84 | 3400 | 45.63 | 0.26 | <35.4 |

- ▶ Material:impeller & Frame:Plastic(UL 94V-0)
- ▶ Lead Wires:
UL 1007 AWG #24 Or Equivalent
Red Wire Positive(+), Black Wire Negative(-), Yellow Wire Or Blue Wire Signal(FG)
- ▶ Function type is optional.

- ▶ The max air flow and the speed are measured in free air; max air pressure is measured at zero air flow.
- ▶ Noise is measured in anechoic chamber in free air, one meter from intake side.
- ▶ All readings are typical values at rated voltage.
- ▶ Specifications are subject to change without notice.
- ▶ Additional special function may be added according the requirement of customer.