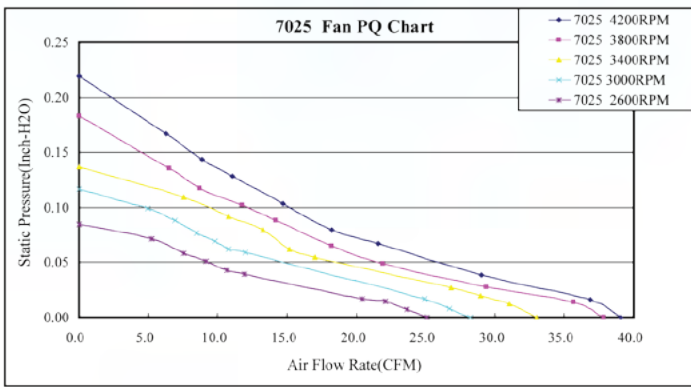


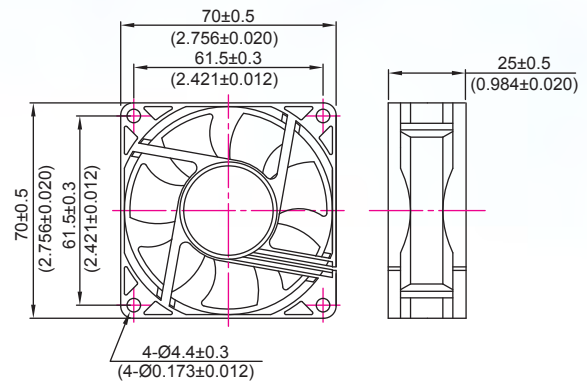
7025 series 70x70x25 mm



P&Q Curve



Dimensions Drawing



UNIT:MM/(INCH)

Specifications

Model	Rated Voltage (VDC)	Rated Current (AMP)	Power Consumption (WATTS)	Speed Reference (RPM)	Air Flow (CFM)	Static Pressure (Inch-H ₂ O)	Noise (dBA)
EC7025HH12X	12	0.3	3.6	4200	39.09	0.22	<36
EC7025H12X	12	0.25	3	3800	37.75	0.18	<32
EC7025M12X	12	0.19	2.28	3400	32.99	0.14	<28
EC7025L12X	12	0.14	1.68	3000	28.2	0.12	<25
EC7025HH24X	24	0.26	6.24	4200	39.09	0.22	<36
EC7025H24X	24	0.22	5.28	3800	37.75	0.18	<32
EC7025M24X	24	0.18	4.32	3400	32.99	0.14	<28
EC7025L24X	24	0.14	3.36	3000	28.2	0.12	<25
EC7025LL24X	24	0.1	2.4	2600	25.09	0.09	<21.9

- ▶ Material:impeller & Frame:Plastic(UL 94V-0)
- ▶ Lead Wires:
UL 1007 AWG #26 Or Equivalent
Red Wire Positive(+), Black Wire Negative(-), Yellow Wire Or Blue Wire Signal(FG)
- ▶ Function type is optional.

- ▶ The max air flow and the speed are measured in free air; max air pressure is measured at zero air flow.
- ▶ Noise is measured in anechoic chamber in free air, one meter from intake side.
- ▶ All readings are typical values at rated voltage.
- ▶ Specifications are subject to change without notice.
- ▶ Additional special function may be added according the requirement of customer.