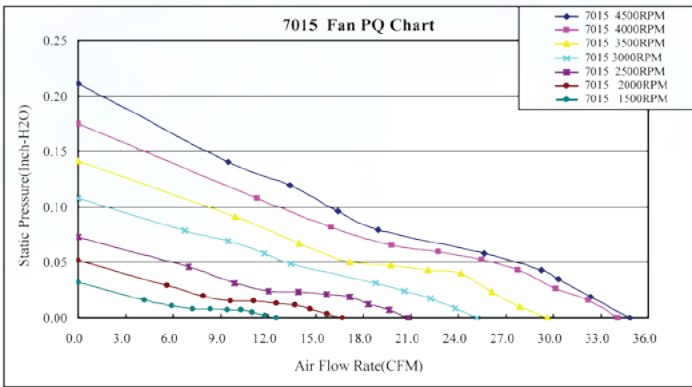


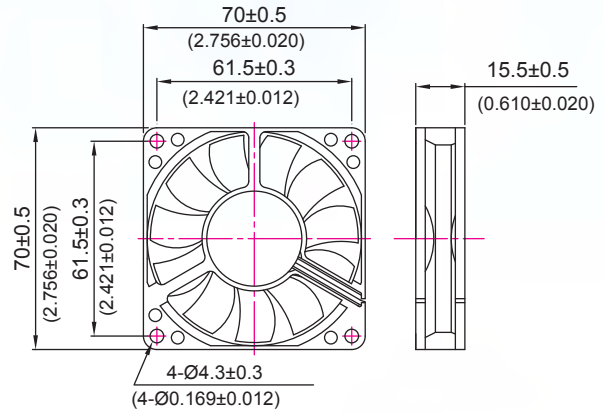
## 7015 series 70x70x15 mm



### P&Q Curve



### Dimensions Drawing



UNIT:MM/(INCH)

### Specifications

Model	Rated Voltage (VDC)	Rated Current (AMP)	Power Consumption (WATTS)	Speed Reference (RPM)	Air Flow (CFM)	Static Pressure (Inch-H <sub>2</sub> O)	Noise (dBA)
EC7015H05X	5	0.45	2.25	4000	34.05	0.18	<37
EC7015M05X	5	0.4	2	3500	29.58	0.14	<34
EC7015L05X	5	0.3	1.5	3000	25.19	0.11	<30
EC7015LL05X	5	0.2	1	2500	20.83	0.07	<28
EC7015SL05X	5	0.14	0.7	2000	16.67	0.05	<23.2
EC7015XL05X	5	0.12	0.6	1500	12.5	0.03	<16.9
EC7015HH12X	12	0.34	4.08	4500	34.83	0.21	<40
EC7015H12X	12	0.3	3.6	4000	34.05	0.18	<37
EC7015M12X	12	0.26	3.12	3500	29.58	0.14	<34
EC7015L12X	12	0.22	2.64	3000	25.19	0.11	<30
EC7015LL12X	12	0.16	1.92	2500	20.83	0.07	<28
EC7015SL12X	12	0.1	1.2	2000	16.67	0.05	<23.2
EC7015H24X	24	0.26	6.24	4000	34.05	0.18	<37
EC7015M24X	24	0.22	5.28	3500	29.58	0.14	<34
EC7015L24X	24	0.18	4.32	3000	25.19	0.11	<30
EC7015LL24X	24	0.1	2.4	2500	20.83	0.07	<28

7015 series

- ▶ Material: impeller & Frame: Plastic (UL 94V-0)
- ▶ Lead Wires: UL 1007 AWG #26 Or Equivalent  
Red Wire Positive(+), Black Wire Negative(-), Yellow Wire Or Blue Wire Signal(FG)
- ▶ Function type is optional.

- ▶ The max air flow and the speed are measured in free air; max air pressure is measured at zero air flow.
- ▶ Noise is measured in anechoic chamber in free air, one meter from intake side.
- ▶ All readings are typical values at rated voltage.
- ▶ Specifications are subject to change without notice.
- ▶ Additional special function may be added according to the requirement of customer.