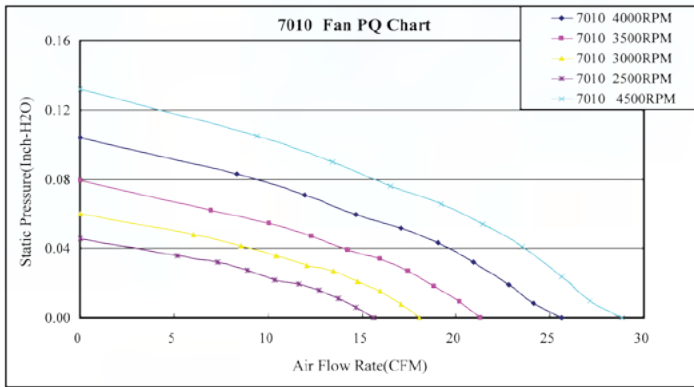


EVERCOOL

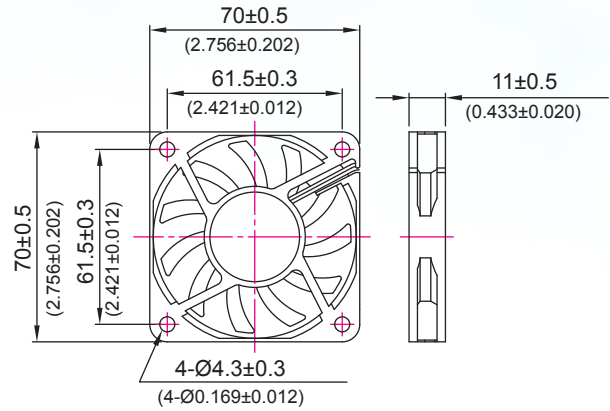
7010 series 70x70x10 mm



P&Q Curve



Dimensions Drawing



UNIT:MM/(INCH)

Specifications

Model	Rated Voltage (VDC)	Rated Current (AMP)	Power Consumption (WATTS)	Speed Reference (RPM)	Air Flow (CFM)	Static Pressure (Inch-H ₂ O)	Noise (dBA)
EC7010HH12X	12	0.31	3.72	4500	28.83	0.13	<39
EC7010H12X	12	0.27	3.24	4000	25.63	0.1	<36
EC7010M12X	12	0.25	3	3500	21.33	0.08	<33
EC7010L12X	12	0.18	2.16	3000	18.08	0.06	<30
EC7010LL12X	12	0.11	1.32	2500	15.62	0.05	<27

- ▶ Material: impeller & Frame: Plastic (UL 94V-0)
- ▶ Lead Wires: UL 1007 AWG #28 Or Equivalent
Red Wire Positive(+), Black Wire Negative(-), Yellow Wire Or Blue Wire Signal(FG)
- ▶ Function type is optional.

- ▶ The max air flow and the speed are measured in free air; max air pressure is measured at zero air flow.
- ▶ Noise is measured in anechoic chamber in free air, one meter from intake side.
- ▶ All readings are typical values at rated voltage.
- ▶ Specifications are subject to change without notice.
- ▶ Additional special function may be added according the requirement of customer.

7010 series