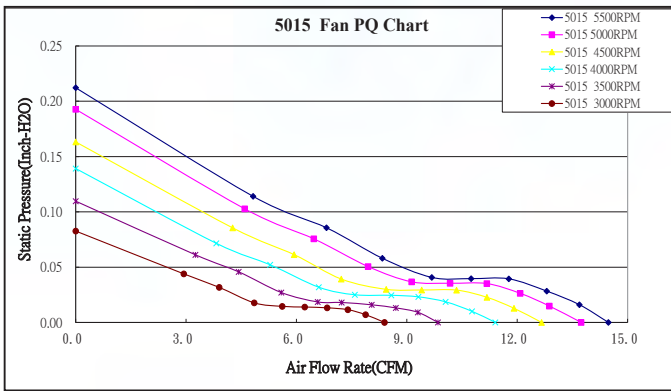


EVERCOOL

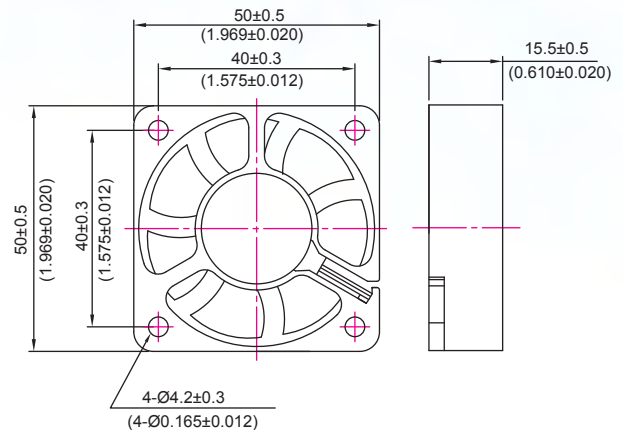
5015 series 50x50x15 mm



P&Q Curve



Dimensions Drawing



UNIT:MM/(INCH)

Specifications

Model	Rated Voltage (VDC)	Rated Current (AMP)	Power Consumption (WATTS)	Speed Reference (RPM)	Air Flow (CFM)	Static Pressure (Inch-H2O)	Noise (dBA)
EC5015HH05X	5	0.3	1.5	5500	14.48	0.21	<33
EC5015H05X	5	0.26	1.3	5000	13.74	0.19	<31
EC5015M05X	5	0.22	1.1	4500	12.66	0.16	<29
EC5015L05X	5	0.18	0.9	4000	11.4	0.14	<27
EC5015LL05X	5	0.14	0.7	3500	9.85	0.11	<25
EC5015SL05X	5	0.12	0.6	3000	8.39	0.08	<21.7
EC5015TH12X	12	0.24	2.88	6000	15.79	0.25	<34
EC5015HH12X	12	0.2	2.4	5500	14.48	0.21	<33
EC5015H12X	12	0.18	2.16	5000	13.74	0.19	<31
EC5015M12X	12	0.15	1.8	4500	12.66	0.16	<29
EC5015L12X	12	0.1	1.2	4000	11.4	0.14	<27
EC5015LL12X	12	0.09	1.08	3500	9.85	0.11	<25
EC5015SL12X	12	0.07	0.84	3000	8.39	0.08	<21.7
EC5015TH24X	24	0.15	3.6	6000	15.79	0.25	<34
EC5015HH24X	24	0.12	2.88	5500	14.48	0.21	<33
EC5015H24X	24	0.08	1.92	5000	13.74	0.19	<31
EC5015M24X	24	0.07	1.68	4500	12.66	0.16	<29
EC5015L24X	24	0.06	1.44	4000	11.4	0.14	<27
EC5015LL24X	24	0.05	1.2	3500	9.85	0.11	<25

- ▶ Material: impeller & Frame: Plastic (UL 94V-0)
- ▶ Lead Wires: UL 1007 AWG #26 Or Equivalent
Red Wire Positive(+), Black Wire Negative(-), Yellow Wire Or Blue Wire Signal(FG)
- ▶ Function type is optional.

- ▶ The max air flow and the speed are measured in free air; max air pressure is measured at zero air flow.
- ▶ Noise is measured in anechoic chamber in free air, one meter from intake side.
- ▶ All readings are typical values at rated voltage.
- ▶ Specifications are subject to change without notice.
- ▶ Additional special function may be added according to the requirement of customer.