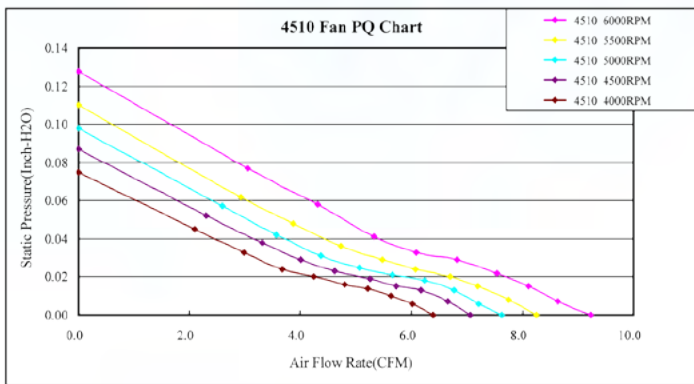


# EVERCOOL

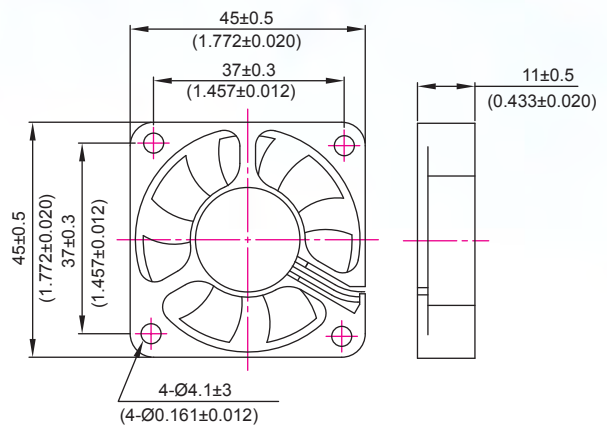
## 4510 series 45x45x10 mm



### P&Q Curve



### Dimensions Drawing



### Specifications

Model	Rated Voltage (VDC)	Rated Current (AMP)	Power Consumption (WATTS)	Speed Reference (RPM)	Air Flow (CFM)	Static Pressure (Inch-H <sub>2</sub> O)	Noise (dBA)
EC4510HH05X	5	0.24	1.2	6000	9.24	0.13	<28
EC4510H05X	5	0.18	0.9	5500	8.26	0.11	<26
EC4510M05X	5	0.16	0.8	5000	7.63	0.1	<24
EC4510L05X	5	0.14	0.7	4500	7.06	0.09	<22
EC4510LL05X	5	0.12	0.6	4000	6.4	0.07	<20
EC4510HH12X	12	0.14	1.68	6000	9.24	0.13	<28
EC4510H12X	12	0.09	1.08	5500	8.26	0.11	<26
EC4510M12X	12	0.07	0.84	5000	7.63	0.1	<24
EC4510L12X	12	0.06	0.72	4500	7.06	0.09	<22
EC4510LL12X	12	0.05	0.6	4000	6.4	0.07	<20

- ▶ Material: impeller & Frame: Plastic (UL 94V-0)
- ▶ Lead Wires: UL 1007 AWG #28 Or Equivalent  
Red Wire Positive(+), Black Wire Negative(-), Yellow Wire Or Blue Wire Signal(FG)
- ▶ Function type is optional.

- ▶ The max air flow and the speed are measured in free air; max air pressure is measured at zero air flow.
- ▶ Noise is measured in anechoic chamber in free air, one meter from intake side.
- ▶ All readings are typical values at rated voltage.
- ▶ Specifications are subject to change without notice.
- ▶ Additional special function may be added according the requirement of customer.