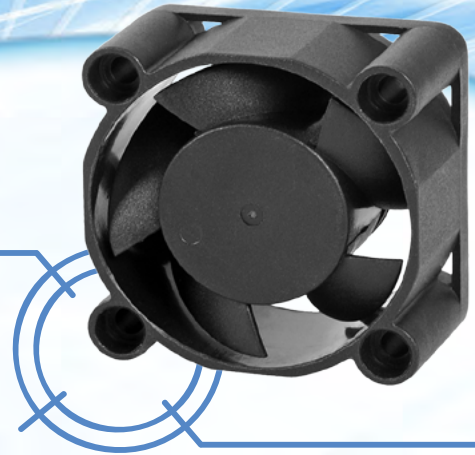
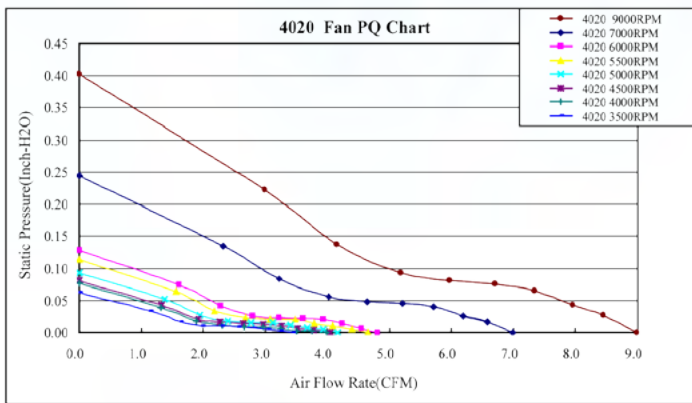


# EVERCOOL

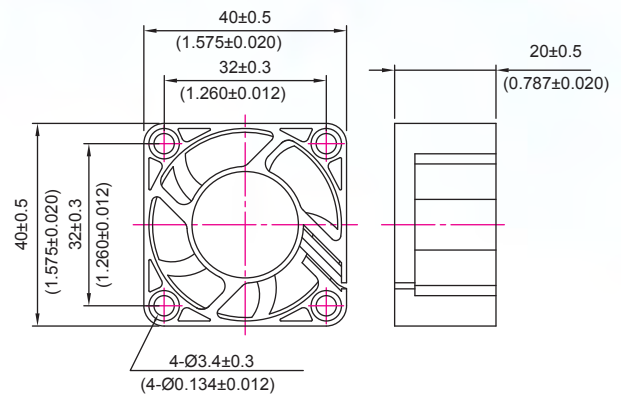
## 4020 series 40x40x20 mm



### P&Q Curve



### Dimensions Drawing



UNIT:MM/(INCH)

### Specifications

Model	Rated Voltage (VDC)	Rated Current (AMP)	Power Consumption (WATTS)	Speed Reference (RPM)	Air Flow (CFM)	Static Pressure (Inch-H <sub>2</sub> O)	Noise (dBA)
EC4020TH05X	5	0.2	1	7000	6.99	0.24	<27
EC4020HH05X	5	0.16	0.8	6000	4.82	0.13	<25
EC4020H05X	5	0.14	0.7	5500	4.65	0.11	<23
EC4020M05X	5	0.12	0.6	5000	4.17	0.09	<21
EC4020L05X	5	0.1	0.5	4500	4.05	0.08	<20
EC4020LL05X	5	0.08	0.4	4000	3.98	0.07	<19
EC4020SL05X	5	0.07	0.35	3500	3.45	0.06	<18
EC4020SH12X	12	0.14	1.68	9000	8.99	0.4	<32
EC4020HH12X	12	0.11	1.32	6000	4.82	0.13	<25
EC4020H12X	12	0.1	1.2	5500	4.65	0.11	<23
EC4020M12X	12	0.08	0.96	5000	4.17	0.09	<21
EC4020L12X	12	0.06	0.72	4500	4.05	0.08	<20
EC4020LL12X	12	0.05	0.6	4000	3.98	0.07	<19

- ▶ Material:impeller & Frame:Plastic(UL 94V-0)
- ▶ Lead Wires:  
UL 1007 AWG #28 Or Equivalent  
Red Wire Positive(+), Black Wire Negative(-), Yellow Wire Or Blue Wire Signal(FG)
- ▶ Function type is optional.

- ▶ The max air flow and the speed are measured in free air; max air pressure is measured at zero air flow.
- ▶ Noise is measured in anechoic chamber in free air, one meter from intake side.
- ▶ All readings are typical values at rated voltage.
- ▶ Specifications are subject to change without notice.
- ▶ Additional special function may be added according the requirement of customer.