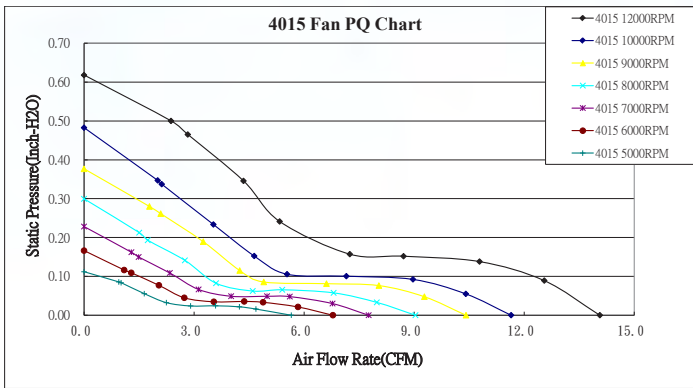


EVERCOOL

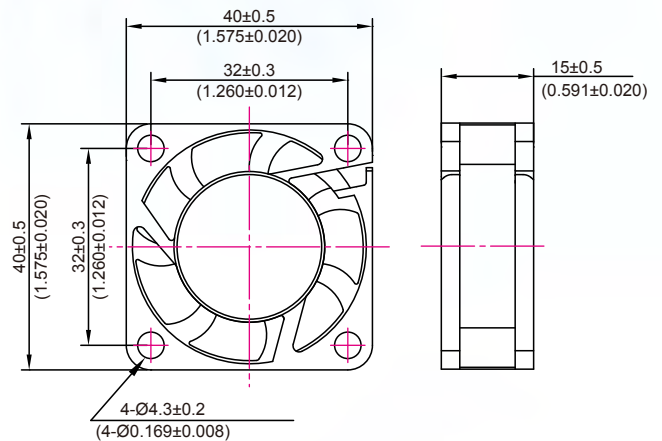
4015 series 40x40x15 mm



P&Q Curve



Dimensions Drawing



UNIT:MM/(INCH)

Specifications

Model	Rated Voltage (VDC)	Rated Current (AMP)	Power Consumption (WATTS)	Speed Reference (RPM)	Air Flow (CFM)	Static Pressure (Inch-H ₂ O)	Noise (dBA)
EC4015SH12X	12	0.3	3.6	12000	14.06	0.62	<38
EC4015TH12X	12	0.26	3.12	10000	11.64	0.48	<32
EC4015HH12X	12	0.2	2.4	9000	10.41	0.38	<29.5
EC4015H12X	12	0.17	2.04	8000	9.03	0.3	<27
EC4015M12X	12	0.15	1.8	7000	7.76	0.23	<24.3
EC4015L12X	12	0.13	1.56	6000	6.78	0.17	<21
EC4015LL12X	12	0.11	1.32	5000	5.65	0.11	<17

4015 series

- ▶ Material: impeller & Frame: Plastic (UL 94V-0)
- ▶ Lead Wires: UL 1007 AWG #28 Or Equivalent
Red Wire Positive(+), Black Wire Negative(-), Yellow Wire Or Blue Wire Signal(FG)
- ▶ Function type is optional.

- ▶ The max air flow and the speed are measured in free air; max air pressure is measured at zero air flow.
- ▶ Noise is measured in anechoic chamber in free air, one meter from intake side.
- ▶ All readings are typical values at rated voltage.
- ▶ Specifications are subject to change without notice.
- ▶ Additional special function may be added according to the requirement of customer.