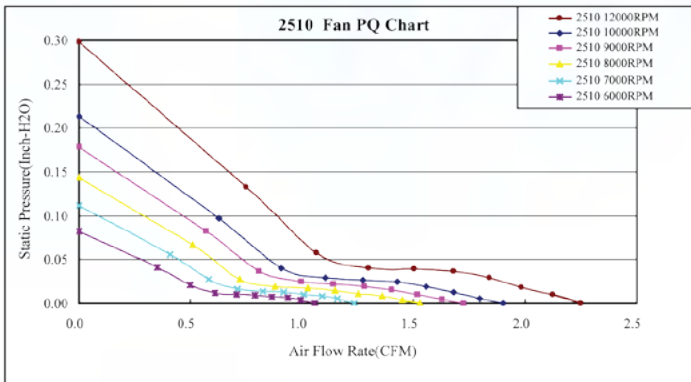


EVERCOOL

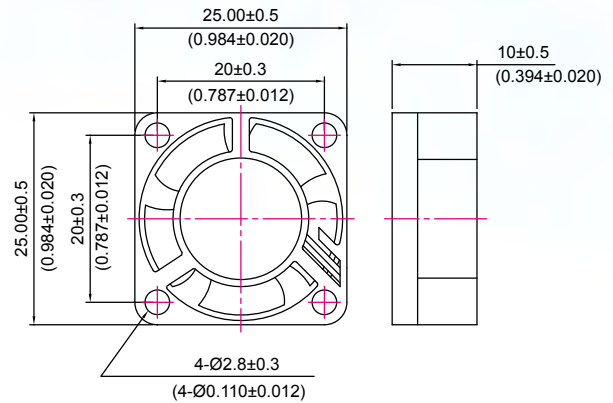
2510 series 25x25x10 mm



P&Q Curve



Dimensions Drawing



UNIT:MM/(INCH)

Specifications

Model	Rated Voltage (VDC)	Rated Current (AMP)	Power Consumption (WATTS)	Speed Reference (RPM)	Air Flow (CFM)	Static Pressure (Inch-H ₂ O)	Noise (dBA)
EC2510SH05X	5	0.24	1.2	12000	2.25	0.3	<22
EC2510HH05X	5	0.2	1	10000	1.9	0.21	<21
EC2510H05X	5	0.18	0.9	9000	1.72	0.18	<20
EC2510M05X	5	0.16	0.8	8000	1.53	0.14	<19
EC2510L05X	5	0.14	0.7	7000	1.23	0.11	<18
EC2510LL05X	5	0.12	0.6	6000	1.06	0.08	<17
EC2510SH12X	12	0.08	0.96	12000	2.25	0.3	<22
EC2510HH12X	12	0.07	0.84	10000	1.9	0.21	<21
EC2510H12X	12	0.06	0.72	9000	1.72	0.18	<20
EC2510M12X	12	0.05	0.6	8000	1.53	0.14	<19
EC2510L12X	12	0.04	0.48	7000	1.23	0.11	<18

- ▶ Material: impeller & Frame: Plastic (UL 94V-0)
- ▶ Lead Wires: UL 1007 AWG #28 Or Equivalent
Red Wire Positive(+), Black Wire Negative(-), Yellow Wire Or Blue Wire Signal(FG)
- ▶ Function type is optional.

- ▶ The max air flow and the speed are measured in free air; max air pressure is measured at zero air flow.
- ▶ Noise is measured in anechoic chamber in free air, one meter from intake side.
- ▶ All readings are typical values at rated voltage.
- ▶ Specifications are subject to change without notice.
- ▶ Additional special function may be added according the requirement of customer.