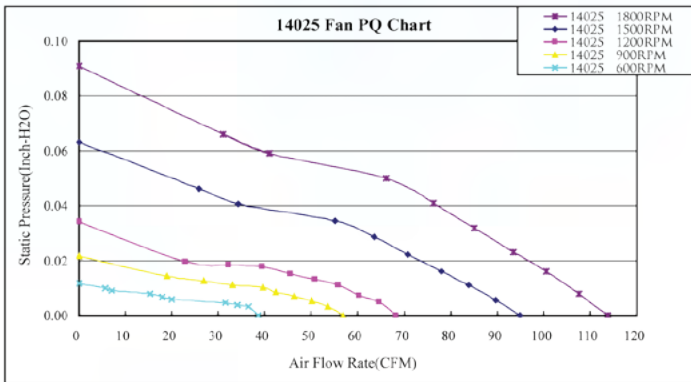


EVERCOOL

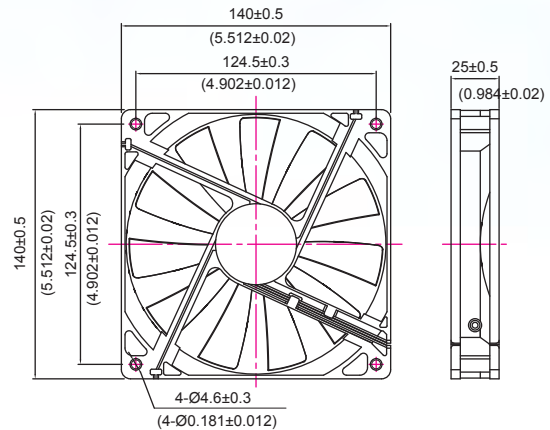
14025 series 140x140x25 mm



P&Q Curve



Dimensions Drawing



UNIT:MM/(INCH)

Specifications

Model	Rated Voltage (VDC)	Rated Current (AMP)	Power Consumption (WATTS)	Speed Reference (RPM)	Air Flow (CFM)	Static Pressure (Inch-H ₂ O)	Noise (dBA)
EC14025H12X	12	0.72	8.64	1800	113.87	0.09	<30.9
EC14025M12X	12	0.45	5.4	1500	94.89	0.06	<26.9
EC14025L12X	12	0.28	3.36	1200	68.23	0.03	<22.1
EC14025LL12X	12	0.18	2.16	900	56.74	0.02	<15.8
EC14025SL12X	12	0.1	1.2	600	38.58	0.01	<7

- ▶ Material:impeller & Frame:Plastic(UL 94V-0)
- ▶ Lead Wires:
UL 1007 AWG #28 Or Equivalent
Red Wire Positive(+), Black Wire Negative(-), Yellow Wire Or Blue Wire Signal(FG)
- ▶ Function type is optional.

- ▶ The max air flow and the speed are measured in free air; max air pressure is measured at zero air flow.
- ▶ Noise is measured in anechoic chamber in free air, one meter from intake side.
- ▶ All readings are typical values at rated voltage.
- ▶ Specifications are subject to change without notice.
- ▶ Additional special function may be added according the requirement of customer.